


Engine Bank 1 and Bank 2 A/F and O2 Identification

Service Category Engine/Hybrid System

Section Engine Control

Market USA

Lexus Supports
ASE Certification 

Applicability

YEAR(S)	MODEL(S)	ADDITIONAL INFORMATION
1990 – 2010	ES300, ES330, ES350, GS300, GS350, GS400, GS430, GS450H, GS460, GX460, GX470, IS F, IS250, IS250C, IS300, IS350, IS350C, LS400, LS430, LS460, LS600H, LX470, LX570, RX300, RX330, RX350, RX400H, RX450H, SC300, SC400, SC430	

TSIB SUPERSESSION NOTICE

The information contained in this TSIB supersedes TSIB No. EG015-07.

- Applicability has been updated to include 2009 – 2010 model year vehicles.

TSIB No. EG015-07 is Obsolete and any printed versions should be discarded. Be sure to review the entire content of this service bulletin before proceeding.

Introduction

This service bulletin provides information on the proper identification of engine bank 1 and engine bank 2 for correct A/F sensor and oxygen sensor replacement.

This bulletin contains information that identifies engine bank 1 and engine bank 2 on the following engines:

2GR-FE, 2GR-FSE, 2GR-FXE, 3GR-FSE, 4GR-FSE, 2JZ-GE, 1MZ-FE, 3MZ-FE, 1UR-FE, 1UR-FSE, 2UR-FSE, 2UR-GSE, 3UR-FE, 1UZ-FE, 2UZ-FE, and 3UZ-FE

- Bank 1 (B1) refers to the bank that includes cylinder No. 1.
- Bank 2 (B2) refers to the bank opposite bank 1.

Engine Bank 1 and Bank 2 A/F and O2 Identification

Introduction (Continued)

- Sensor 1 (S1) refers to the sensor that is located before the catalytic converters.
- Sensor 2 (S2) refers to the sensor that is located after the catalytic converters.

Warranty Information

OP CODE	DESCRIPTION	TIME	OFP	T1	T2
N/A	Not Applicable to Warranty	–	–	–	–

Engine Bank 1 and Bank 2 A/F and O2 Identification

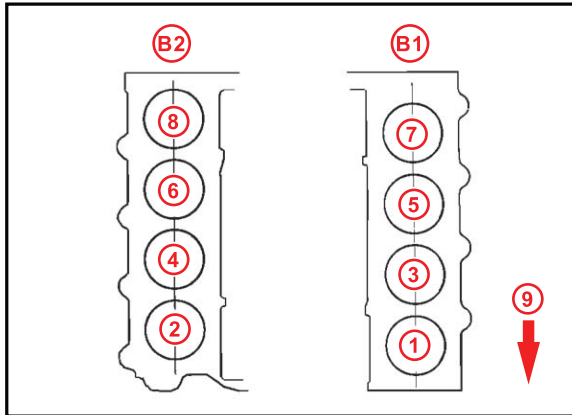
Applicable Vehicles

MODEL	MODEL YEAR	ENGINE
ES 300	1994 – 2003	1MZ-FE
ES 330	2004 – 2006	3MZ-FE
ES 350	2007 – 2010	2GR-FE
GS 300	1993 – 2005	2JZ-GE
	2006	3GR-FSE
GS 350	2007 – 2010	2GR-FSE
GS 400	1998 – 2000	1UZ-FE
GS 430	2001 – 2007	3UZ-FE
GS 450h	2007 – 2010	2GR-FSE
GS 460	2008 – 2010	1UR-FSE
GX 460	2010	1UR-FE
GX 470	2003 – 2009	2UZ-FE
IS F	2008 – 2010	2UR-GSE
IS 250	2006 – 2010	4GR-FSE
IS 250C	2010	
IS 300	2001 – 2005	2JZ-GE
IS 350	2006 – 2010	2GR-FSE
IS 350C	2010	
LS 400	1990 – 2000	1UZ-FE
LS 430	2001 – 2006	3UZ-FE
LS 460 / 460L	2007 – 2010	1UR-FSE
LS 600h	2008 – 2010	2UR-FSE
LX 470	1998 – 2007	2UZ-FE
LX 570	2008 – 2010	3UR-FE
RX 300	1999 – 2003	1MZ-FE
RX 330	2004 – 2006	3MZ-FE
RX 350	2007 – 2010	2GR-FE
RX 400h	2006 – 2010	3MZ-FE
RX 450h	2010	2GR-FXE
SC 300	1992 – 2000	2JZ-GE
SC 400	1991 – 2000	1UZ-FE
SC 430	2002 – 2010	3UZ-FE

Engine Bank 1 and Bank 2 A/F and O2 Identification

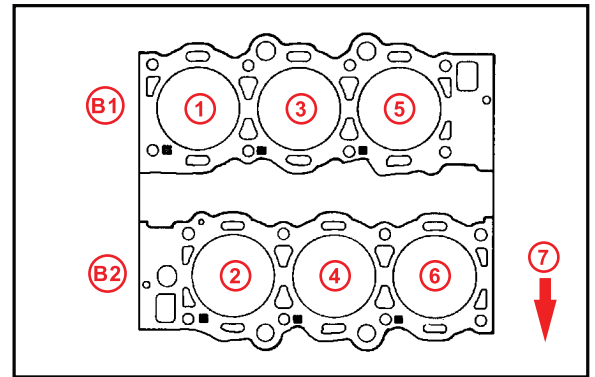
Engine Bank Identification

Figure 1. Engine Bank Identification: 1UR-FE, 3UR-FE, 1UR-FSE, 2UR-FSE, 2UR-GSE, 1UZ-FE, 2UZ-FE, 3UZ-FE



B1	Bank 1
B2	Bank 2
1	No. 1 Cylinder
2	No. 2 Cylinder
3	No. 3 Cylinder
4	No. 4 Cylinder
5	No. 5 Cylinder
6	No. 6 Cylinder
7	No. 7 Cylinder
8	No. 8 Cylinder
9	Front of Vehicle

Figure 2. Engine Bank Identification: 2GR-FE, 2GR-FXE, 1MZ-FE, 3MZ-FE

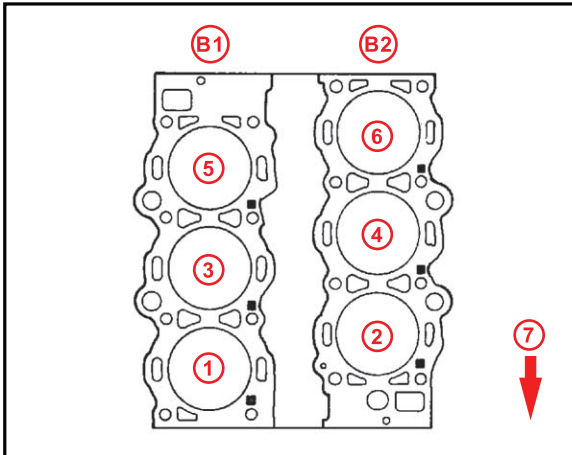


B1	Bank 1
B2	Bank 2
1	No. 1 Cylinder
2	No. 2 Cylinder
3	No. 3 Cylinder
4	No. 4 Cylinder
5	No. 5 Cylinder
6	No. 6 Cylinder
7	Front of Vehicle

Engine Bank 1 and Bank 2 A/F and O2 Identification

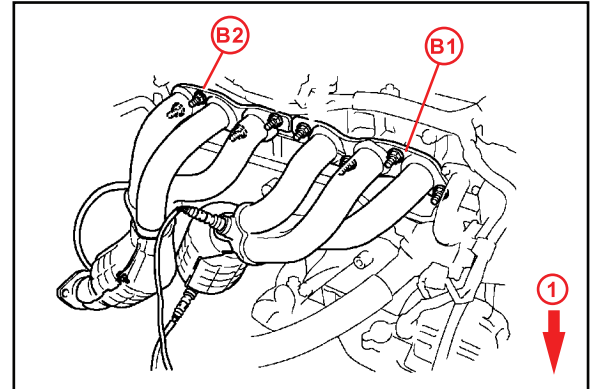
Engine Bank Identification (Continued)

Figure 3. Engine Bank Identification: 2GR-FSE, 3GR-FSE, 4GR-FSE



B1	Bank 1
B2	Bank 2
1	No. 1 Cylinder
2	No. 2 Cylinder
3	No. 3 Cylinder
4	No. 4 Cylinder
5	No. 5 Cylinder
6	No. 6 Cylinder
7	Front of Vehicle

Figure 4. Engine Bank Identification: 2JZ-GE

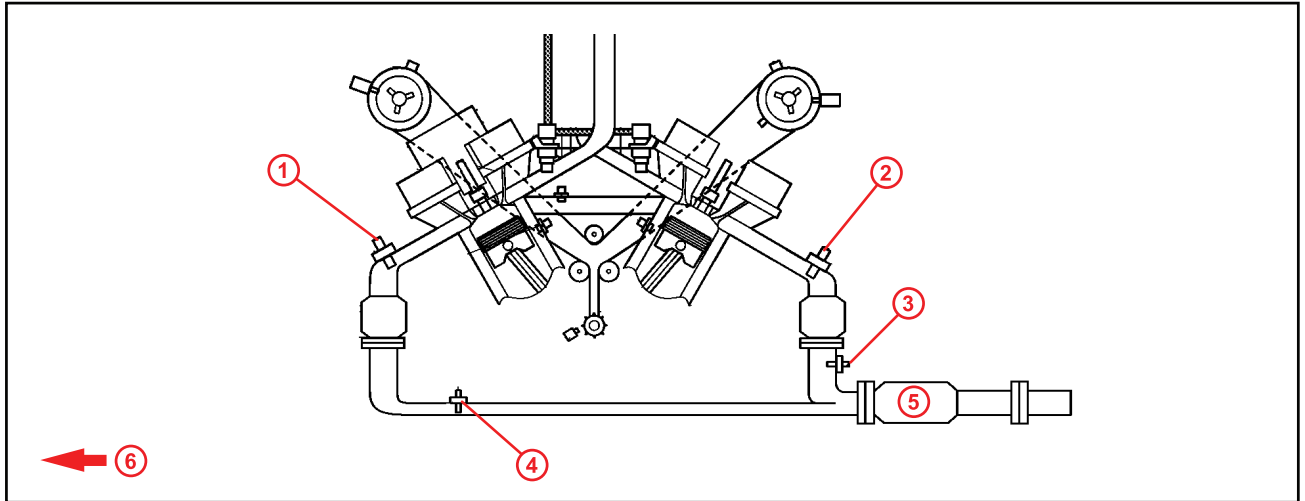


B1	Bank 1
B2	Bank 2
1	Front of Vehicle

Engine Bank 1 and Bank 2 A/F and O2 Identification

A/F and O2 Sensor Identification

Figure 5. Sensor Identification: FWD V6



1	A/F Sensor (Bank 2, Sensor 1) (B2, S1)
2	A/F Sensor (Bank 1, Sensor 1) (B1, S1)
3	Heated Oxygen Sensor (Bank 1, Sensor 2) (B1, S2)

4	Heated Oxygen Sensor (Bank 2, Sensor 2) (B2, S2)
5	TWC
6	Front of Vehicle